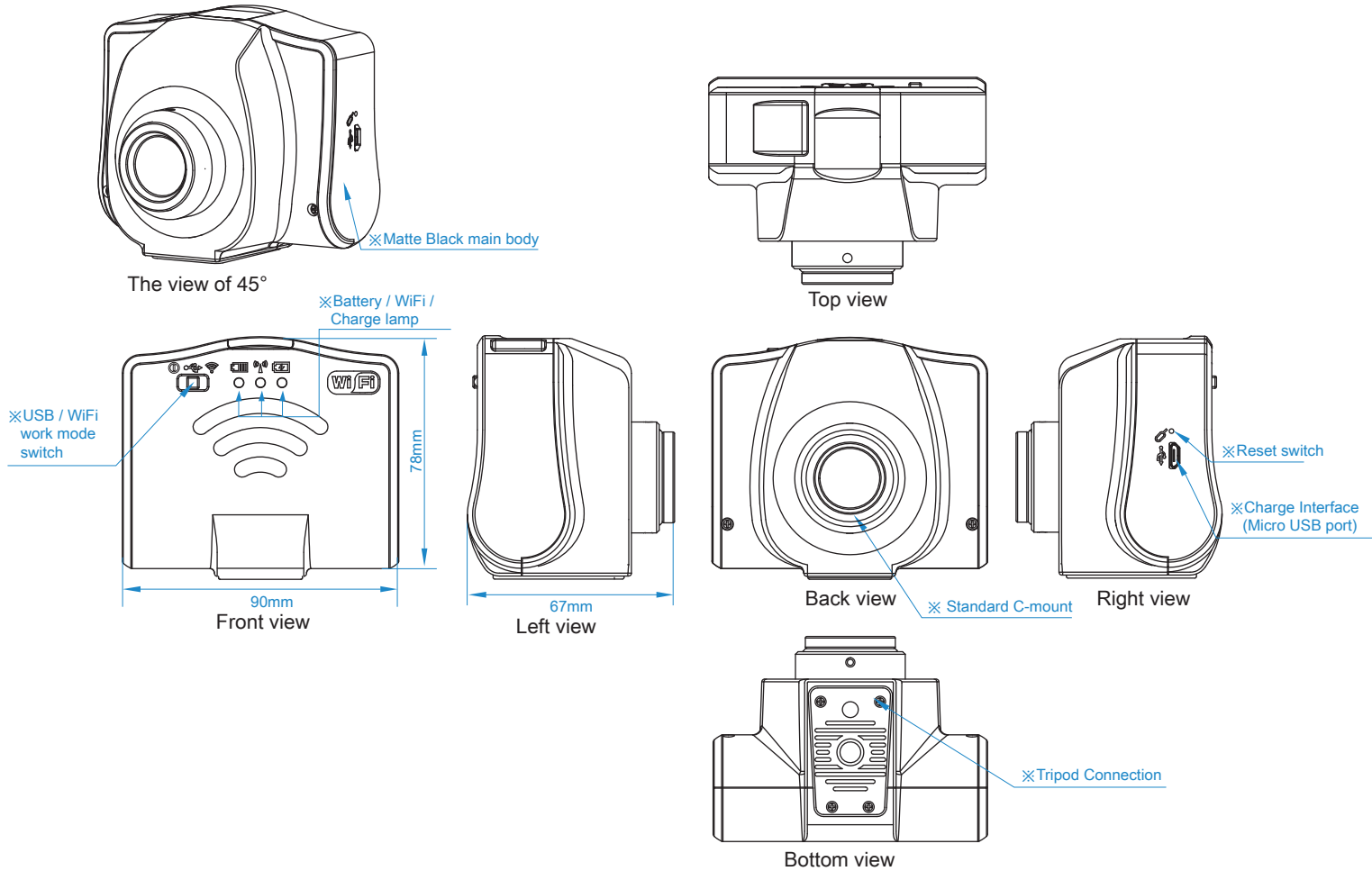


# MC500-W(2nd Gen.) Specification

## 1、 The size and the weight of main body



MC500-W(2nd Gen.) ( Body net weight about 250g )

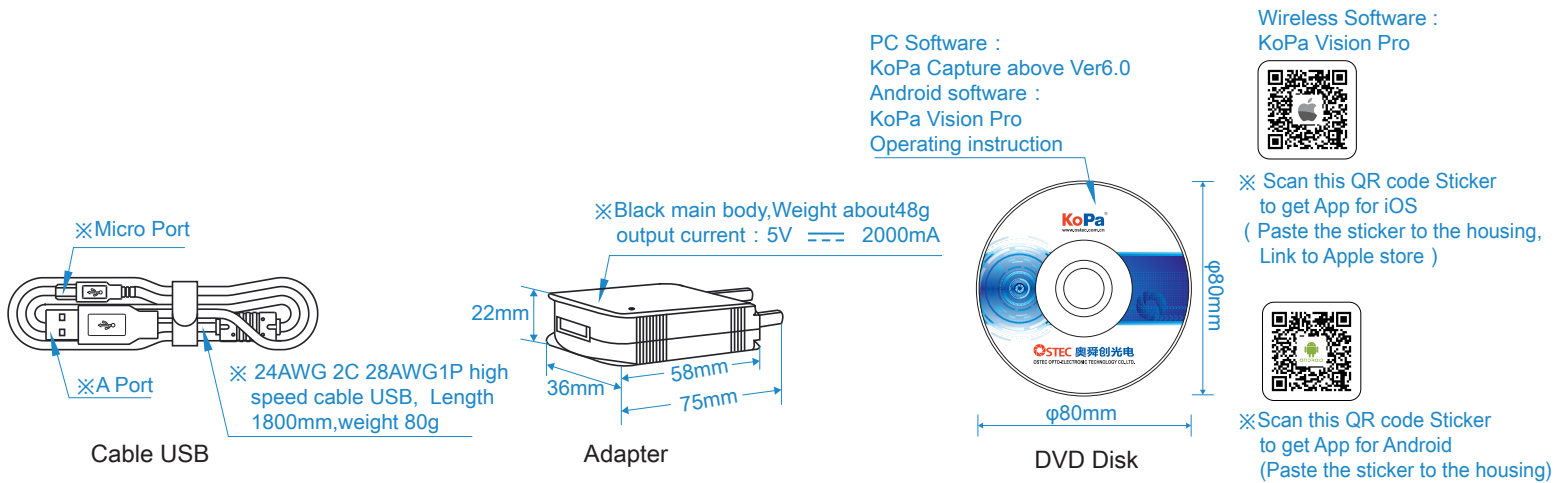
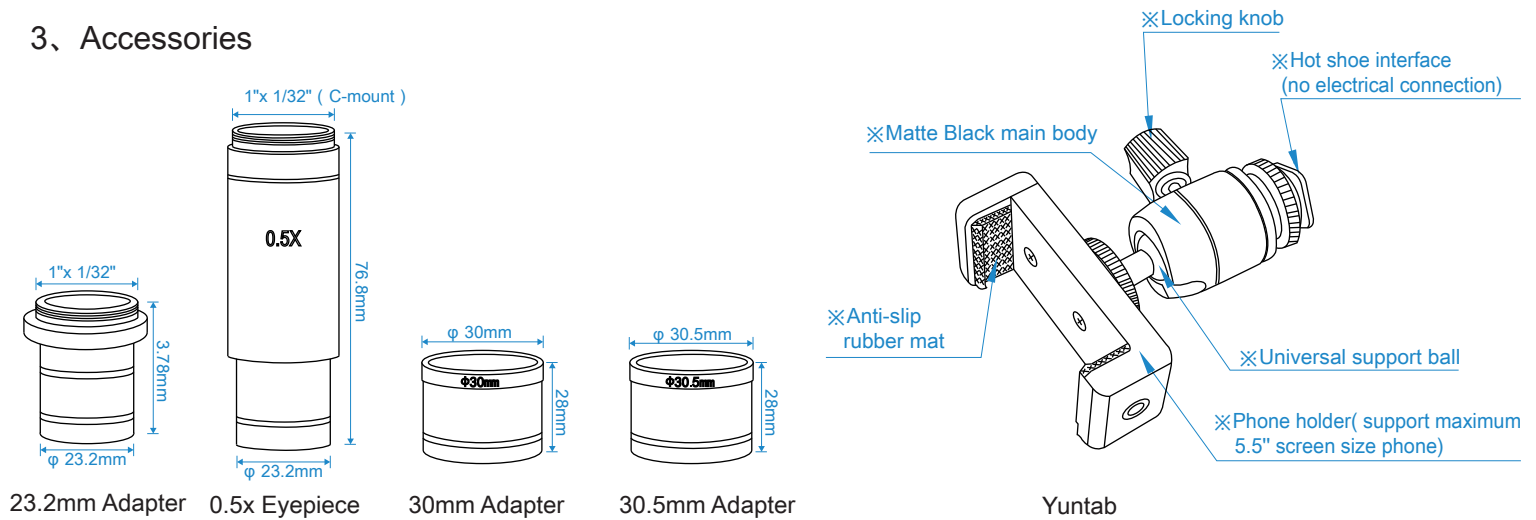
## 2、 Electrical Property

Hardware configuration	
Image Sensor	APTINA MT9P001 CMOS(colorful)
Scan Mode	Scan line by line
Maximum Resolution	2592 x 1944 (5,038,848 pixels)
Sensor Optical Format	1/2.5" (5.70mm(H) x 4.28mm(V), Diagonal 7.13mm)
Pixel Size	2.2μm x 2.2μm
Dynamic Range	70.1dB
ADC	12-bit, 8-Bit R.G.B to PC
SNR ( Signal Noise Ratio )	38.1dB
Spectral Characteristics	380-650nm (during daytime mode)
Maximum Transmission Frame Rate ( USB mode )	10FPS@2592x1944 15FPS@1920x1080,1600x1200 40FPS@1280x960, 1280x720, 1024x768, 800x600, 640x480
Maximum Transmission Frame Rate ( WiFi mode )	10FPS@2592x1944 15FPS@1920x1080,1600x1200 40FPS@1280x960, 1280x720, 1024x768, 800x600, 640x480
Binning Modes	1 x 1, 2 x 2
Exposure Capability	3.9ms - 320ms, Automatic and manual
White Balance	Automatic and manual
Software Interface	DirectShow
Capture Modes	Picture Resolution : 2592x1944, 1920x1080, 1600x1200, 1280x960, 1280x720, 1024x768, 800x600, 640x480 Format : JPG,BMP,PNG,TIFF,PDF Video Resolution : 1920x1080, 1600x1200, 1280x960, 1280x720, 1024x768, 800x600, 640x480 Format : MJPG format AVI file

Interface Parameter	
Wired picture / Charger interface	Micro USB interface USB2.0 DC5.0V 500mA ( wired picture ) USB 2.0 DC5.0V 2A ( when charging power)
Tripod connection	1/4-20 A tripod connection
Camera Interface	C Port , and it can customize other ports
Wireless Parameter/Power Parameter	
Standard	802.11b/g/n
Operating Frequency Range	2.400 ~ 2.4835GHz
Available Channels	802.11n 20MHz/40MHz
	802.11b/g
	USA, Canada (FCC):11 channels (2.412GHz~2.462GHz)
	Europe (CE): 13 channels (2.412GHz~2.472GHz)
Data Rate	Japan (TELEC): 14 channels (2.412GHz~2.4835GHz)
	802.11n: up to 300Mbps 2T2R
	802.11b: up to 11Mbps
Transmission Power	802.11g: up to 54Mbps
	11n HT40 MCS7 : +16dBm +/-1.5dBm
Receiving Sensitivity	-61 dBm@10% PER at HT40 MCS7
	-68 dBm@10% PER at 54Mbps
	-85 dBm@10% PER at 11Mbps
Suggestion on number of receiver on different resolution	10@640x480
	8@800x600
	6@1024x768
	5@1280x720
	5@1280x960
	4@1920x1080
	3@2592x1944
The Wireless work instructions	When there has not WiFi , LED lamp turn off
	When WiFi is opened but do not connect , LED is always lighting
	When WiFi is connected, LED flashes at the beginning and stay turn on afterward
	When WiFi is connected , LED flashes , about once per second , The greater the amount of data the faster it flashes, and it is about 10 times per second
Build in battery	3.7V, 5000mAh , 26650 rechargeable lithium coin cells
Continuous working period	About 8 hours
Charging time	About 4 hours
Charge lamp,(internal battery)	Having problems in charging : charge lamp , red light flashes once per 0.5 second
	Low battery : charge lamp , green light breathes once per 1 second
	Medium battery : charge lamp , green light breathes once per 2.5 seconds
	High battery : charge lamp , green light breathes once per 4seconds
	Fully charged : charge lamp , there will be always green light
Power lamp,(internal battery)	When power quantity more than 20% : power lamp , there will be always green light
	When power quantity lower than 20% : power lamp , there will be always red light
	When power quantity lower than 5% : power lamp , it will turn off after flashing three times
Charge Cycle	500 times @50% power
Power-up	Wired : direct-current 5V , power by USB cable
	Wireless: internal battery
	Charge power: DC 5V 2A power plug
Software Environment	
USB work mode	
Windows system demand	Microsoft® Windows® XP / 7 / 8 /8.1/10(32 & 64 bit)
	CPU: equal or more than the second generation Intel core 2.8GHz
	Memory: 2G or more
	DVD-ROM ( Need it during installing software )
WiFi work mode	
Windows system demand	Microsoft® Windows® XP / 7 / 8 /8.1/10(32 & 64 bit)
	CPU: equal or more than the second generation Intel core 2.8GHz
	Memory: 2G or more
	Internal wireless network card
iOS System Demand	iOS6.0 or higher

Android system demand	Android3.0 or higher
	CPU: dual-core 1.7GHz or higher
	RAM memory : 1G or more
	Storage ROM : suggest 8G or larger
Operating Environment	
Operating temperature	0°C~ 40°C
Storage temperature	-20°C~ 60°C
Operating Humidity	30~80%RH
Storage Humidity	10~60%RH

### 3、Accessories



### 4、Standard Configuration

